



MAGELAN Siren

Assembly instructions

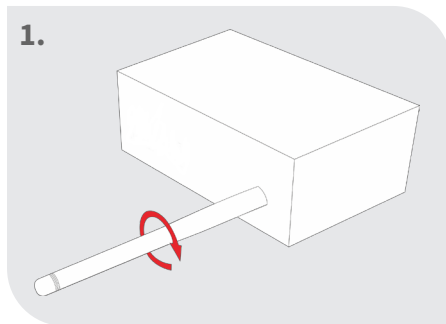
Brief description:

blossom-ic radio and app-controlled Siren. For use as an alarm Siren in the event of water damage and for burglary protection as a deterrent in combination with the blossom-ic thermostats and/or the additional Magelan Sensor. In combination with Gateway GT-100.

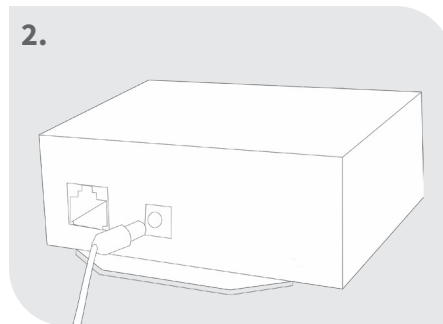
Contents...

Connection of the Gateway GT-100	3
Registration of the Siren	3
Connection diagram	4
Control via blossomic app	
Siren for Leakage System	5
Siren for Security System	6
Technical data	7
Safety instructions	7
Declaration of conformity	7
Warning notice	7
Intended Use	7

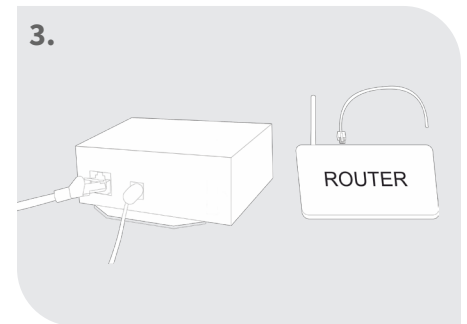
Connection of the Gateway GT-100



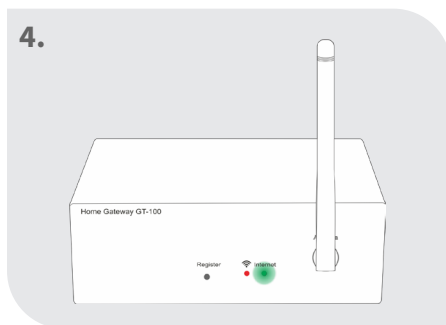
1. Screw on the antenna



2. Connect power supply unit



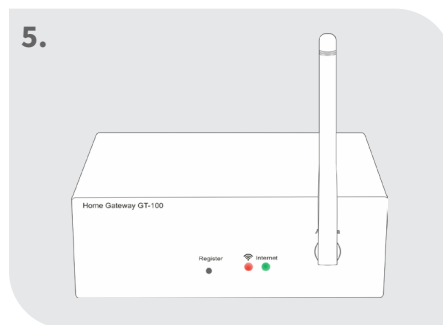
3. Connect the network cable



4. Check status

Green diode lights up constantly: Internet connection is establishing.

Green diode lights up constantly: Internet connection is successfully established



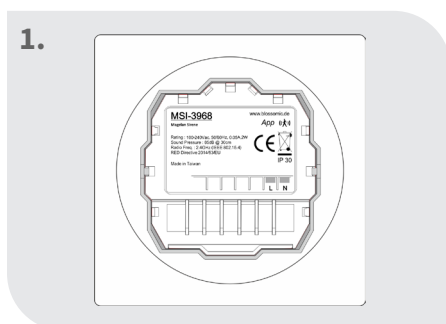
5. Both diodes light up permanently: Gateway active

Hint:

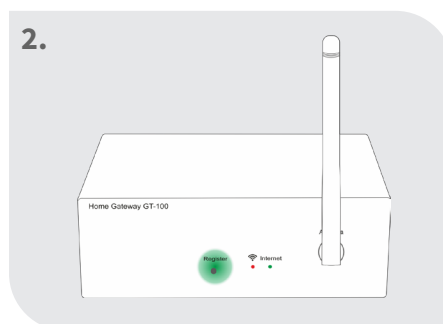
Functionality in the home safe area. Internet connection is used for convenient setting and control via smartphone.

The system functionality is guaranteed even if no Internet connection is available.

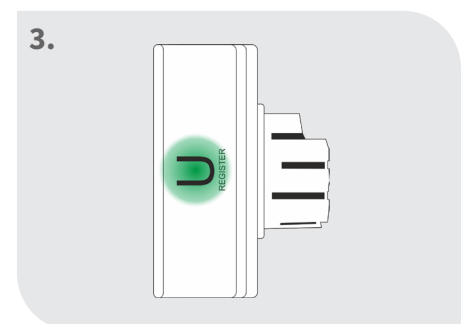
Registration of the Siren



1. Connect the Siren as described in the connection diagram

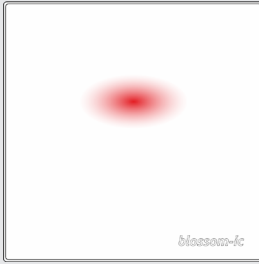


2. Press the „Register“ button on the gateway



3. Press the “Register” button on the Siren for 3 seconds

4.



LED on Siren starts flashing, Siren registers

5.

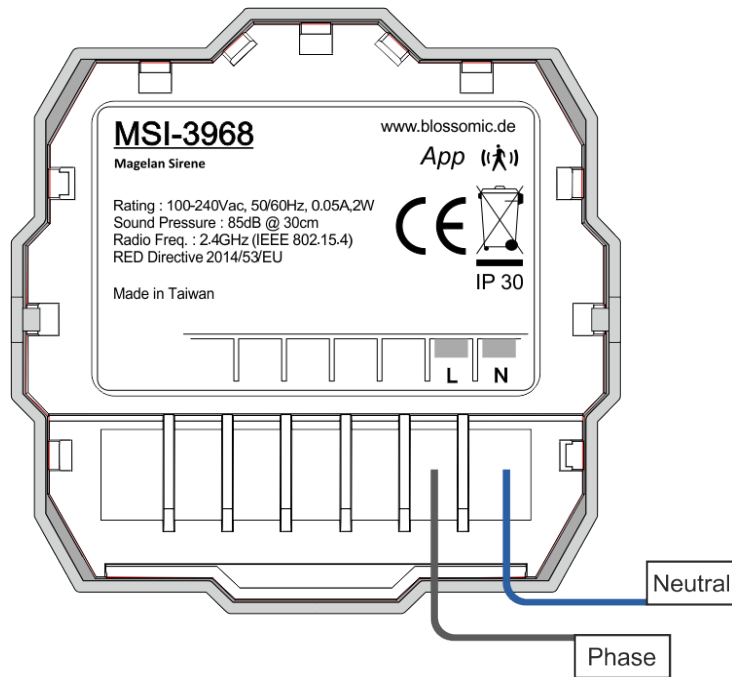


LED on the Siren lights up continuously for 10 seconds
=> Registration was successful

Note:

If the LED on the Siren goes out after blinking
=> The registration has failed

Connection diagram



Control via blossomic app

Siren for Leakage System

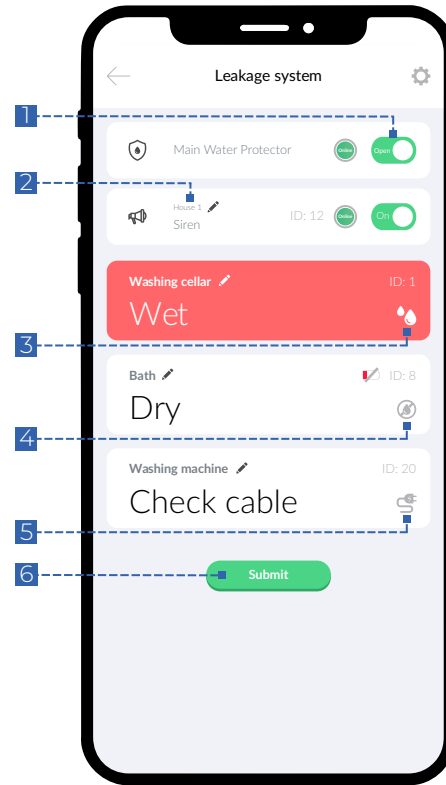


Leakage system

When a Leakage Sensor is registered, this icon appears in the system overview

Extensions for the leakage system

Main Water Protector (monitoring of the main water pipe and immediate closing in case of leakage)



1 Activate / deactivate

2 Naming the Siren

3 Leakage detected

4 Bath is active and no leakage was detected

5 Error message

Check cable: A cable may be defective or not correctly plugged into the device

6 Save changes

All changes must always be confirmed

Siren for Security System

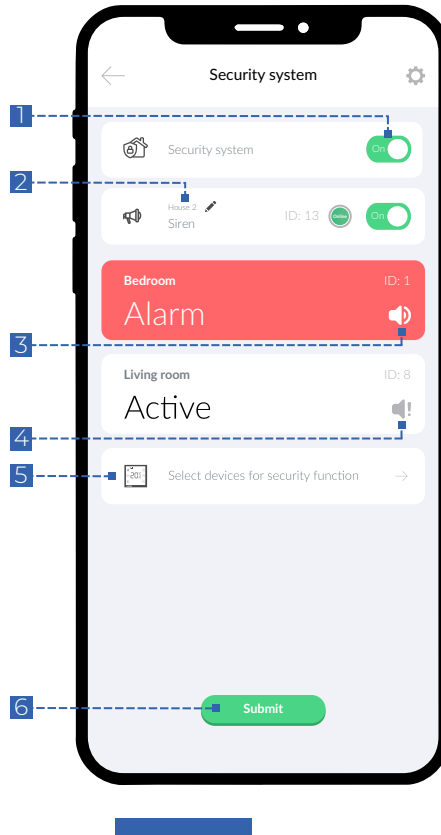


Security system

When a Siren is registered, this icon appears in the system overview

Note

When the security system is activated and movement is detected, the Siren will sound a warning signal for 15 seconds. If the security system is not deactivated during this time, the alarm will sound.



1 Activate / deactivate

2 Naming the Siren

3 Alarm was triggered

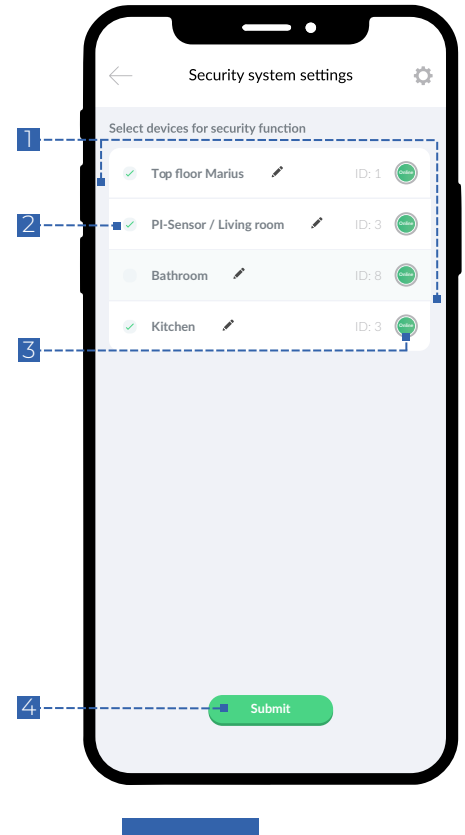
4 Living room is active, no movement in the room

5 Detection

Selection of devices (thermostat, motion Sensor) for detection

6 Save changes

All changes must always be confirmed



1 Overview of all available thermostats

2 Activate devices for alarm function

3 Device is ONLINE and therefore available for alarm system

4 Save changes

All changes must always be confirmed

Technical data

Technical data - Magelan Siren

Ambient temperature	0 ~ 50°C
Mains voltage	230V AC / 50/60Hz
Dimension	L86 x W86 x H59,5 (mm)
Wireless frequency	2.4GHz, ISM Band, 16 channels
Protection class	IP 30
RF-Test	RED 2014/53/EU
CE	Available
RoHs	Available
Type of antenna	PCB antenna
Volume	80 dB

Safety instructions

Attention! Important Note:

Installation and assembly of electrical devices may only be carried out by a qualified electrician. Failure to observe the assembly and installation instructions can result in fire or other dangers.

Declaration of conformity

Hereby blossom-ic GmbH & Co. KG hereby declares that the following product: Magelan Siren MSI-3968 is in conformity with the essential requirements and the other relevant provisions of Directive 2014/53/EU. The complete declaration of conformity can be found at the following address: www.blossomic.de/downloads Declaration of Conformity.

Warning notice

The Siren is not suitable for children and must not be used as a toy. Store and dispose of packaging materials in a child-resistant manner. Do not disassemble the Siren, as it does not contain any user-serviceable parts. If defects occur, please return the Siren to the dealer. This device can be used by children over 8 years of age and by persons with reduced physical, Sensory or mental abilities or lack of experience and knowledge, if they have been supervised or instructed in the safe use of the device and understand the resulting dangers. Children must not play with the device. Cleaning and user maintenance must not be performed by children without supervision.

Intended Use

The Siren is only suitable as an alarm Siren in case of water damage and for burglary protection as a deterrent in combination with the blossom-ic thermostats and/or the additional Magelan Sensor. In combination with Gateway GT-100.

Volume

85 dB



blossom-ic

 intelligent controls

blossom-ic GmbH & Co. KG

Oberer Buxheimer Weg 60, 87700 Memmingen, Germany

P: +49 8331-756 965 80 **E:** info@blossomic.de

W: www.blossomic.de