



# MAGELAN Sensor

Assembly instructions

## **Brief description:**

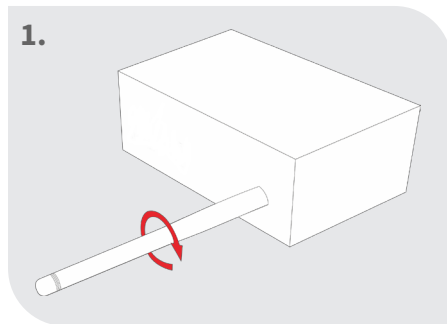
blossom-ic radio and app controlled motion detector.

The motion Sensor is used to monitor individual rooms against theft or for circulation pump control. For additional coverage of individual rooms, if there are no blossom-ic thermostats should be installed there. Can be used in combination with the Magelan Siren for an in-house alarm system. In combination with Gateway GT-100.

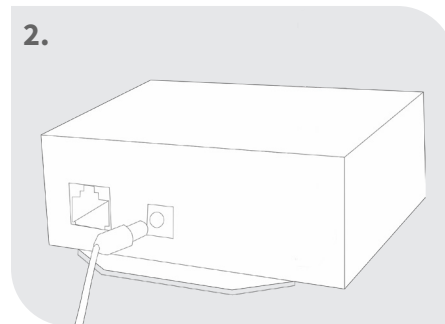
# Contents...

Connection of the Gateway GT-100 .....	3
Registration of the Sensor .....	3
Control via blossomic app .....	4
Technical data .....	5
Safety instructions .....	5
Declaration of conformity .....	5
Warning notice .....	5
Intended Use .....	5

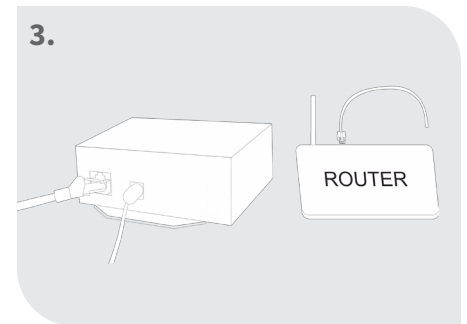
# Connection of the Gateway GT-100



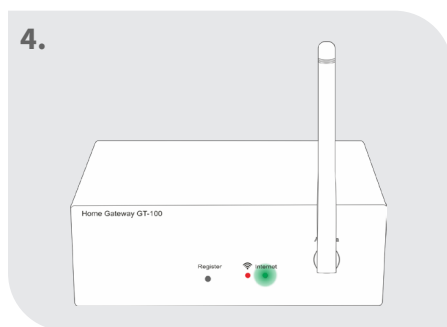
1. Screw on the antenna



2. Connect power supply unit



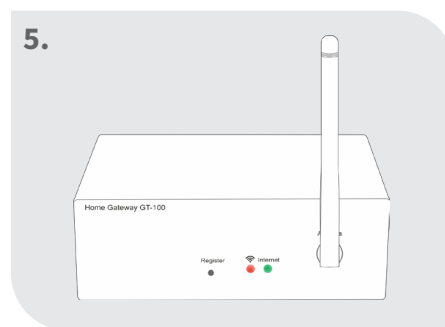
3. Connect the network cable



4. Check status

Green diode lights up constantly: Internet connection is establishing.

Green diode lights up constantly: Internet connection is successfully established



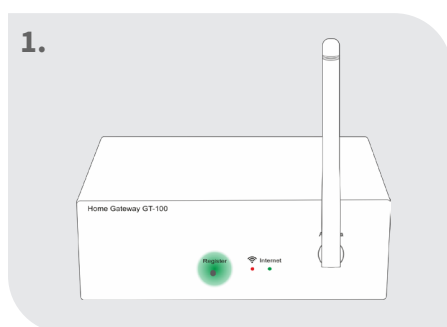
5. Both diodes light up permanently: Gateway active

**Hint:**

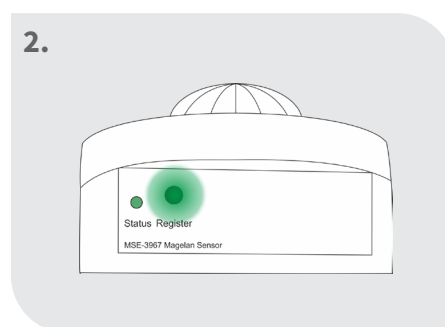
Functionality in the home safe area. Internet connection is used for convenient setting and control via smartphone.

The system functionality is guaranteed even if no Internet connection is available.

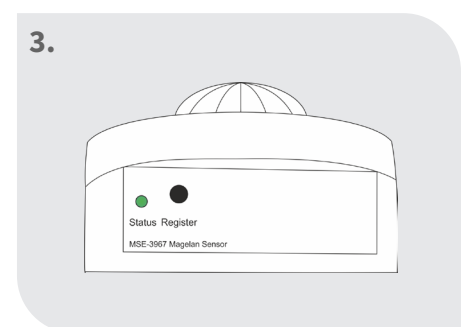
# Registration of the Sensor



1. Press the „Register“ button on the gateway

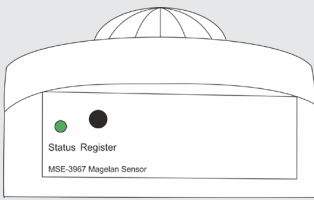


2. Press the „Register“ button on the Sensor for 3 seconds



3. LED on Sensor starts flashing, Sensor registers

4.

**Note:**

If the LED on the Sensor goes off => The registration has failed

LED on the Sensor lights up continuously => The registration was successful

## Control via blossomic app

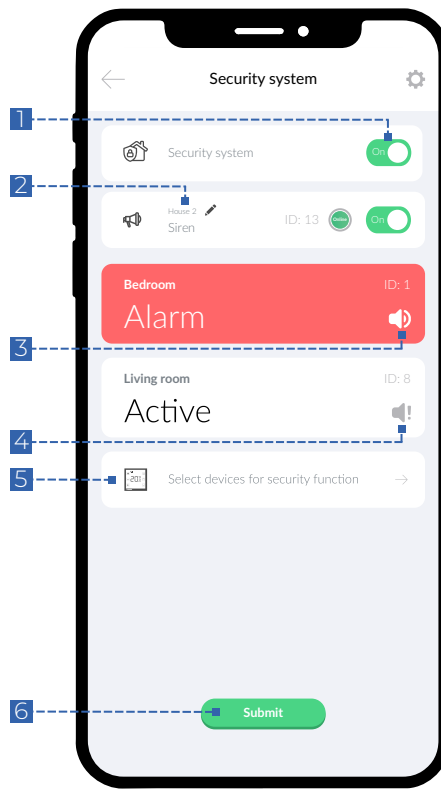


### Security system

When a Siren is registered, this icon appears in the system overview

**Note**

When the security system is activated and movement is detected, the Siren will sound a warning signal for 15 seconds. If the security system is not deactivated during this time, the alarm will sound.



**1** Activate / deactivate

**2** Naming the Siren

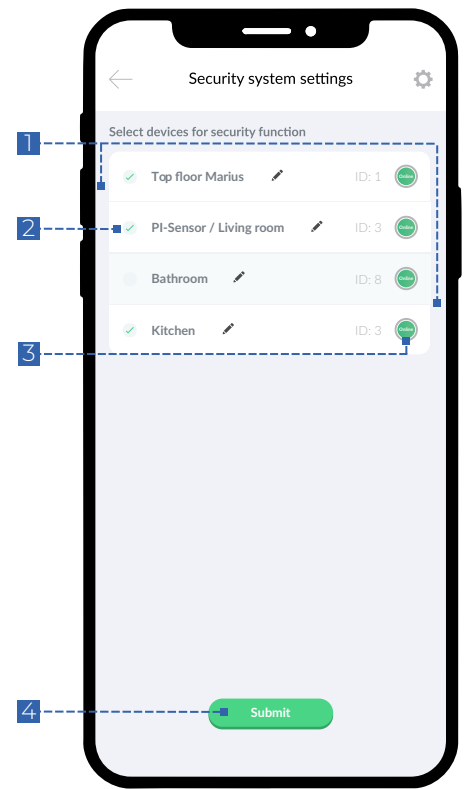
**3** Alarm was triggered

**4** Living room is active, no movement in the room

**5** Detection

Selection of devices (thermostat, motion Sensor) for detection

**6** Save changes



**1** Overview of all available thermostats

**2** Activate devices for alarm function

**3** Device is **ONLINE** and therefore available for alarm system

**4** Save changes

All changes must always be confirmed

# Technical data

## Technical data - Magelan Sensor

• Ambient temperature	0 ~ 50°C
• Ambient humidity	90% (non-condensing)
• Power	10-year-battery Lithium 3.6V
• Dimension	Ø 75 mm x H37 (mm)
• Wireless frequency	2.4GHz, ISM Band, 16 channels
• Protection class	IP 30
• RF-Test	RED 2014/53/EU
• CE	Available
• RoHS	Available
• Type of antenna	PCB antenna

# Safety instructions

## Attention! Important Note:

Installation and assembly of electrical devices may only be carried out by a qualified electrician. Failure to observe the assembly and installation instructions can result in fire or other dangers.

# Declaration of conformity

Hereby blossom-ic GmbH & Co. KG hereby declares that the following product: Magelan Sensor MSE-3967 is in conformity with the essential requirements and the other relevant provisions of Directive 2014/53/EU. The complete declaration of conformity can be found at the following address: [www.blossomic.de/downloads Declaration of Conformity](http://www.blossomic.de/downloads/Declaration%20of%20Conformity).

# Warning notice

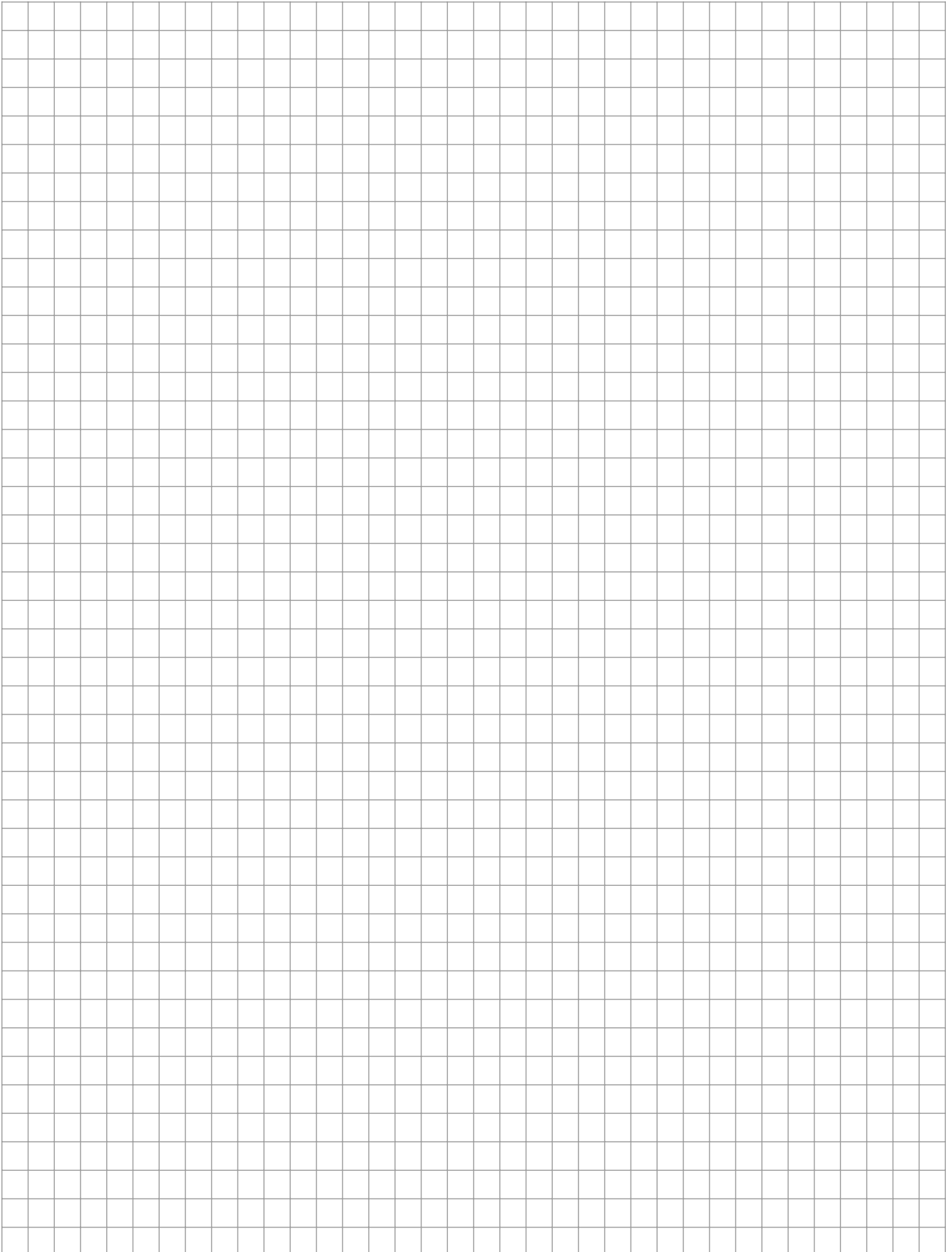
The Sensor is not suitable for children and must not be used as a toy. Store and dispose of packaging materials in a child-resistant manner. Do not disassemble the Sensor, as it does not contain any user-serviceable parts. If defects occur, please return the Sensor to the dealer. This device can be used by children over 8 years of age and by persons with reduced physical, sensory or mental abilities or lack of experience and knowledge, if they have been supervised or instructed in the safe use of the device and understand the resulting dangers. Children must not play with the device. Cleaning and user maintenance must not be performed by children without supervision.

# Intended Use

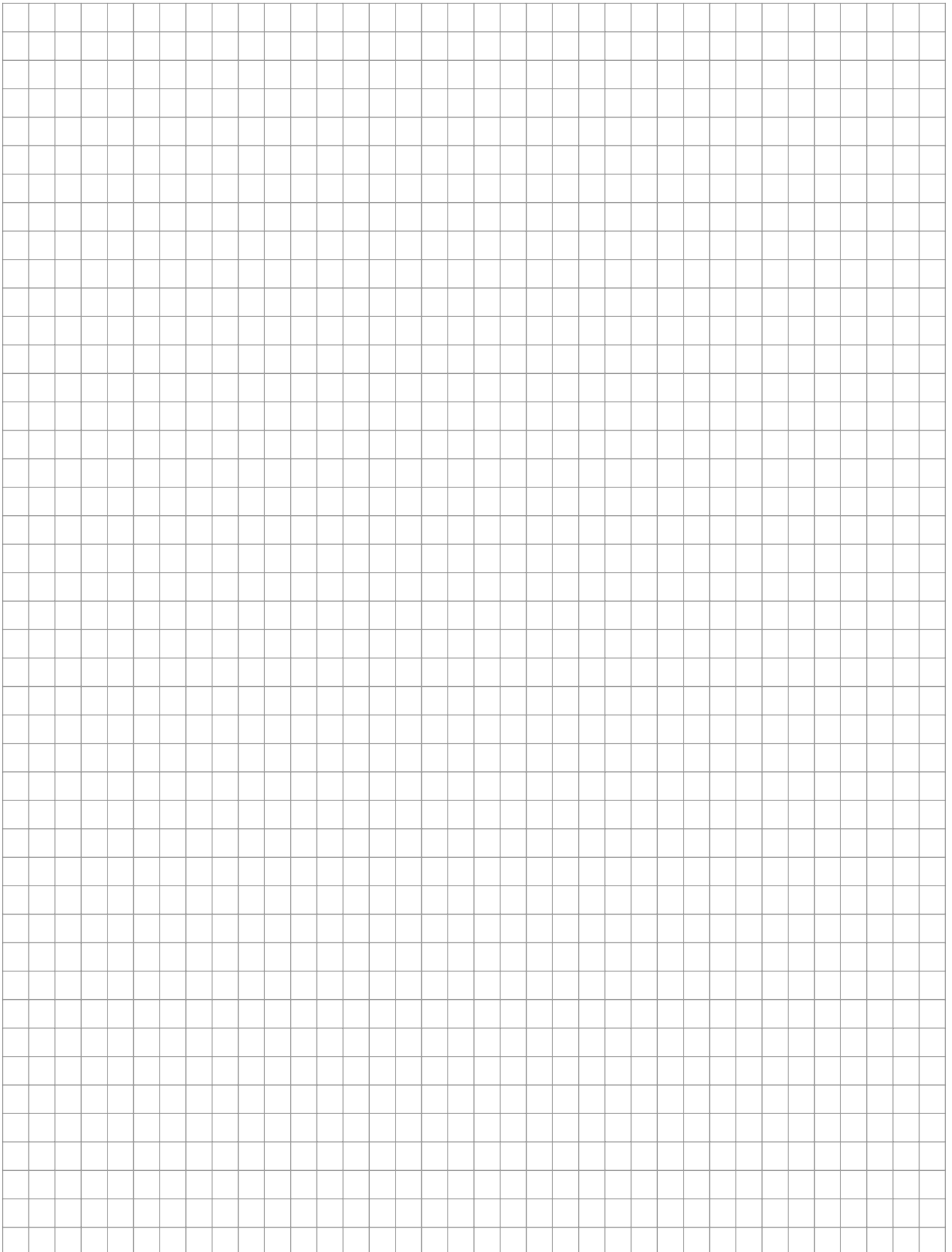
The Sensor is only suitable for additional monitoring of large rooms and as a Sensor in rooms in which no blossom-ic thermostats are installed.



## Notes



## Notes



A large grid of graph paper, consisting of 20 columns and 40 rows of small squares, intended for taking notes.

# *blossom-ic*

 intelligent controls

**blossom-ic GmbH & Co. KG**

Oberer Buxheimer Weg 60, 87700 Memmingen, Germany

**P:** +49 8331-756 965 80 **E:** [info@blossomic.de](mailto:info@blossomic.de)

**W:** [www.blossomic.de](http://www.blossomic.de)