



# MAGELAN

## Main Water Protector

Assembly instructions

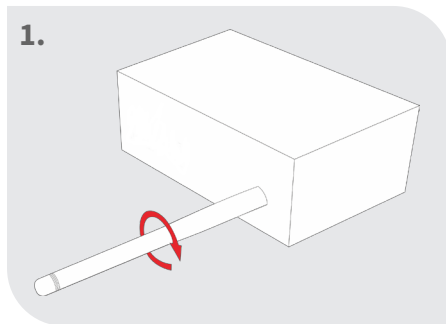
### **Brief description:**

blossom-ic radio and app-controlled Main Water Protector. Permanent monitoring of the main water line. After a message from the Magelan Leakage Sensors about a water ingress or leakage, the main water line is immediately closed. A standard, electric motor-driven ball valve (230V) is connected to the Magelan Main Water Protector. Using the blossom-ic radio and app technology, the main water pipe can also be closed and opened remotely. In connection with Gateway GT-100.

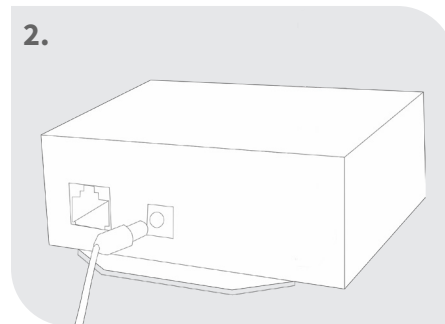
# Contents...

Connection of the Gateway GT-100 .....	3
Registration of the Main Water Protector .....	3
Connection diagram .....	4
Control via blossomic app .....	5
Technical data .....	6
Safety instructions .....	6
Declaration of conformity .....	6
Warning notice .....	6
Intended Use .....	6

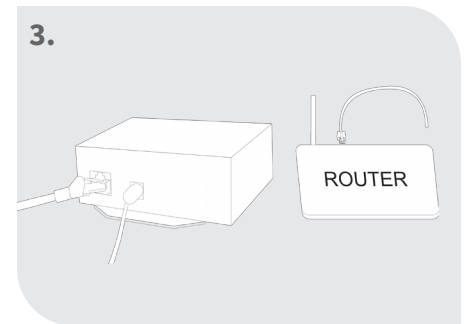
# Connection of the Gateway GT-100



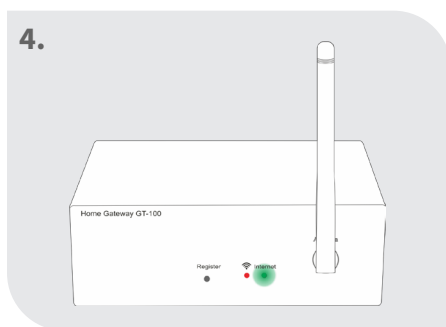
1. Screw on the antenna



2. Connect power supply unit



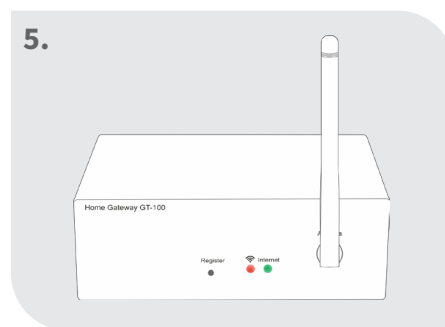
3. Connect the network cable



4. Check status

Green diode lights up constantly: Internet connection is establishing.

Green diode lights up constantly: Internet connection is successfully established



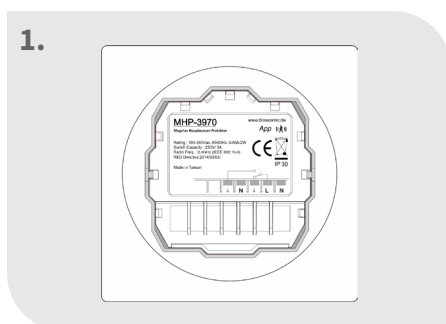
5. Both diodes light up permanently: Gateway active

**Hint:**

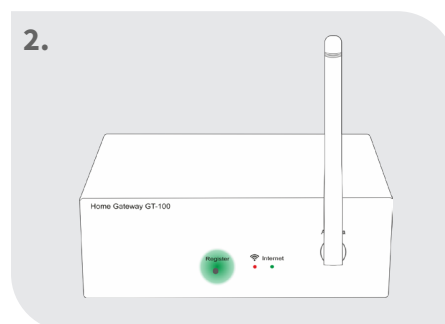
Functionality in the home safe area. Internet connection is used for convenient setting and control via smartphone.

The system functionality is guaranteed even if no Internet connection is available.

# Registration of the Main Water Protector



1. Connect Main Water Protector

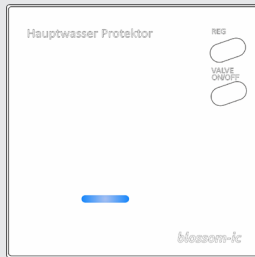


2. Press the „Register“ button on the gateway



3. Press the „Register“ button on the protector for 3 seconds

4.



LED on the protector starts blinking

5.



LED on the protector shines continuously  
=> The registration was successful

**Note:**

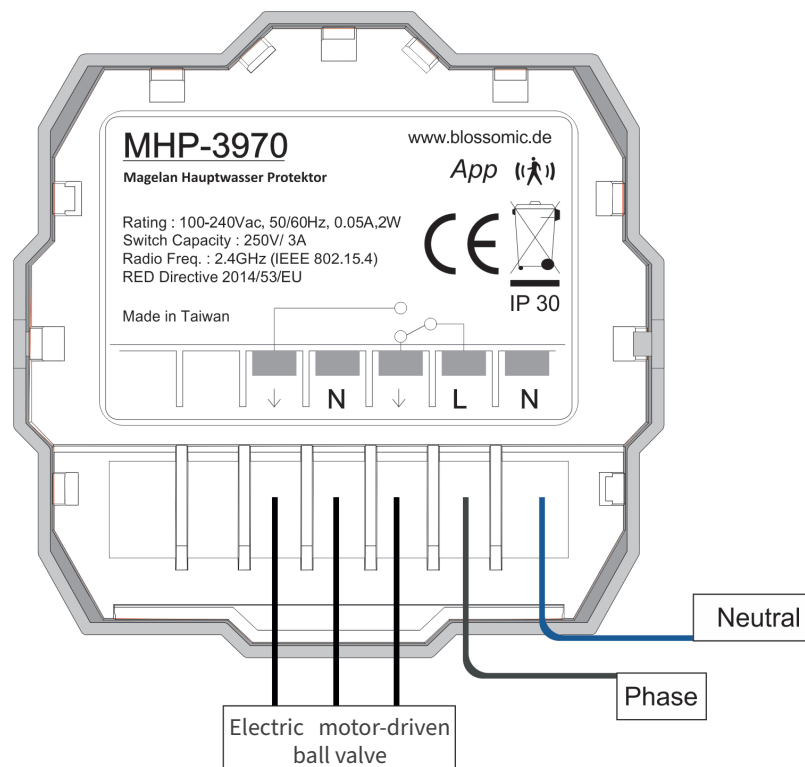
If the LED on the control goes off after blinking => The registration has failed

**Status of the Main Water Protector:**

LED lights up continuously - Main Water Protector **open**

LED flashes slowly - Main Water Protector **closed**

## Connection diagram



# Control via blossomic app

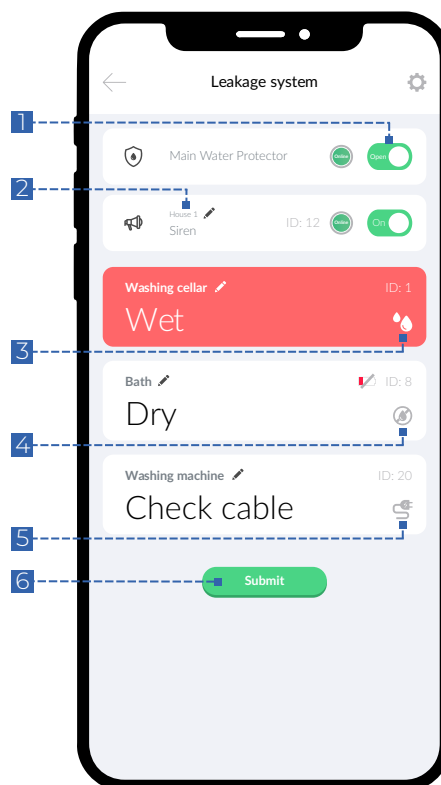


## Leakage system

When a Leakage Sensor is registered, this icon appears in the system overview

## Extensions for the leakage system

Siren (acoustic signal)



## 1 Activate / deactivate

## 2 Naming the Siren

## 3 Leakage detected

## 4 Bath is active and no leakage was detected

## 5 Error message

Check cable: A cable may be defective or not correctly plugged into the device

## 6 Save changes

All changes must always be confirmed

## Note:

If the Main Water Protector is closed in the app, it can be opened again via app. However, if the Main Water Protector is closed by a leak, the Main Water Protector must be reactivated manually on the app. (An opening of the protector via app is not possible after a leakage)

# Technical data

## Technical data – Magelan Main Water Protector

• Ambient temperature	0 ~ 50°C
• Ambient humidity	90% (non-condensing)
• Mains voltage	230V AC / 50/60Hz
• Dimension	L86 x W86 x H44 (mm)
• Wireless frequency	2.4GHz, ISM Band, 16 channels
• Protection class	IP 30
• RF-Test	RED 2014/53/EU
• CE	Available
• RoHs	Available
• Type of antenna	PCB antenna

# Safety instructions

## Attention! Important Note:

Installation and assembly of electrical devices may only be carried out by a qualified electrician. Failure to observe the assembly and installation instructions can result in fire or other dangers.

# Declaration of conformity

Hereby blossom-ic GmbH & Co. KG hereby declares that the following product: Magelan Main Water Protector MHP-3970 is in conformity with the essential requirements and the other relevant provisions of Directive 2014/53/EU. The complete declaration of conformity can be found at the following address: [www.blossomic.de/downloads](http://www.blossomic.de/downloads) Declaration of Conformity.

# Warning notice

The Main Water Protector is not suitable for children and must not be used as a toy. Store and dispose of packaging materials in a child-resistant manner. Do not disassemble the Main Water Protector, as it does not contain any user-serviceable parts. If defects occur, please return the Main Water Protector to the dealer. This appliance may be used by children over 8 years of age and by persons with reduced physical, Sensory or mental abilities or lack of experience and knowledge, if they have been supervised or instructed in the safe use of the appliance and understand the resulting dangers. Children must not play with the device. Cleaning and user maintenance must not be performed by children without supervision.

# Intended Use

The Magelan Main Water Protector is only suitable for monitoring and closing the main water line.





# *blossom-ic*

 intelligent controls

**blossom-ic GmbH & Co. KG**

Oberer Buxheimer Weg 60, 87700 Memmingen, Germany

**P:** +49 8331-756 965 80 **E:** [info@blossomic.de](mailto:info@blossomic.de)

**W:** [www.blossomic.de](http://www.blossomic.de)