



MAGELAN

App Socket

Assembly instructions

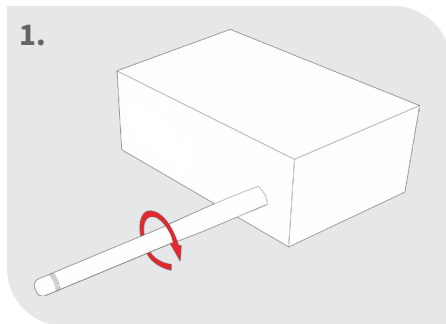
Brief description:

The app socket offers the possibility to create personalized schedules for switching devices on and off to simulate presence and deter potential burglars. Helps to reduce electricity costs. The app socket also serves as a repeater for the blossom-ic system

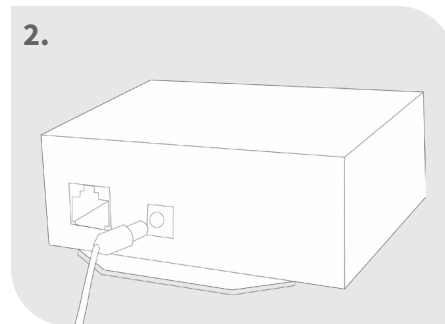
Contents...

Connection of the Gateway GT-100	3
Registration of the App Socket	3
Control via blossomic app	4
Technical data	6
Safety instructions	6
Declaration of conformity	6
Warning notice	6
Intended Use	6

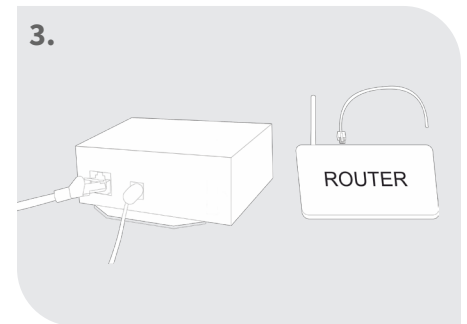
Connection of the Gateway GT-100



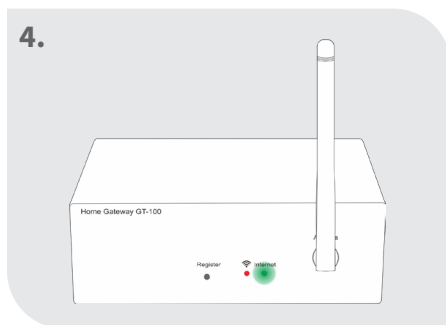
1. Screw on the antenna



2. Connect power supply unit



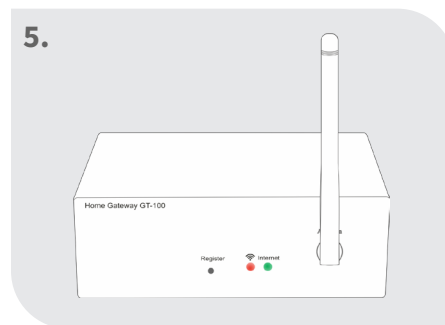
3. Connect the network cable



4. Check status

Green diode lights up constantly: Internet connection is establishing.

Green diode lights up constantly: Internet connection is successfully established



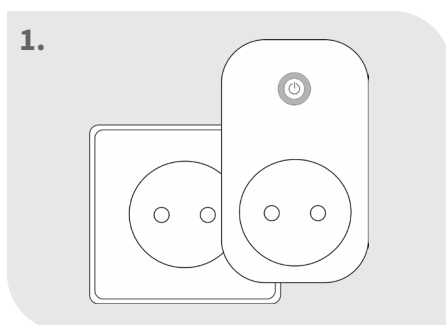
5. Both diodes light up permanently: Gateway active

Hint:

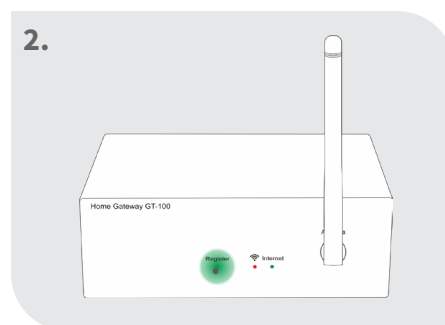
Functionality in the home safe area. Internet connection is used for convenient setting and control via smartphone.

The system functionality is guaranteed even if no Internet connection is available.

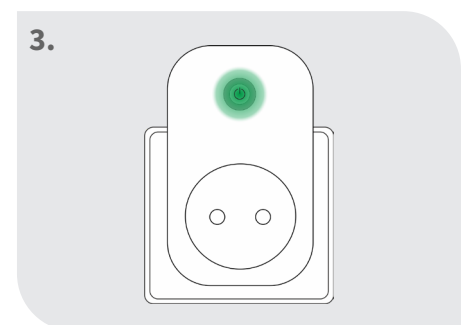
Registration of the App Socket



1. Plug in the socket

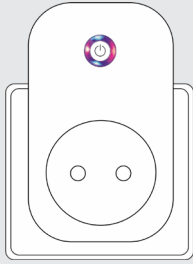


2. Press the „Register“ button on the gateway



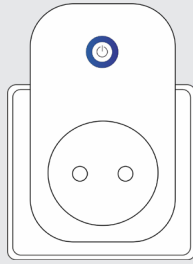
3. Press the button on the front of the socket for 3 seconds

4.



LED on the socket starts to flash

5.

LED on the socket lights up continuously
=> Registration successful**Note:**

If the LED on the App Socket goes out after flashing -> registration failed

Control via blossomic app

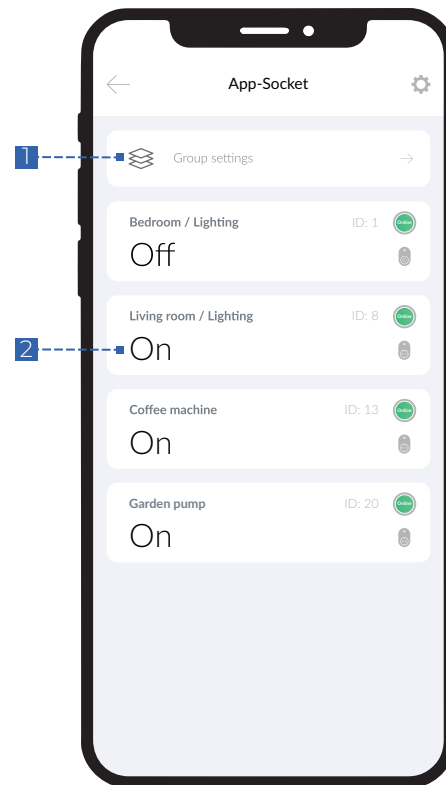


App Socket

When you register an app socket, this icon appears in the system overview

Additional function

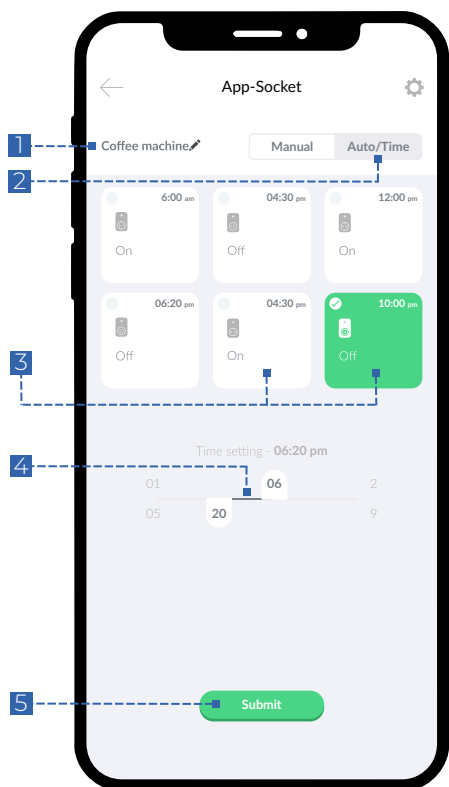
The app socket automatically serves as a repeater for all battery-powered devices



1 Group settings

Assign the same settings to several devices.

2 Current status



1 Naming

2 Auto/Time Mode

Up to three times can be switched ON or OFF per day.

3 Settings

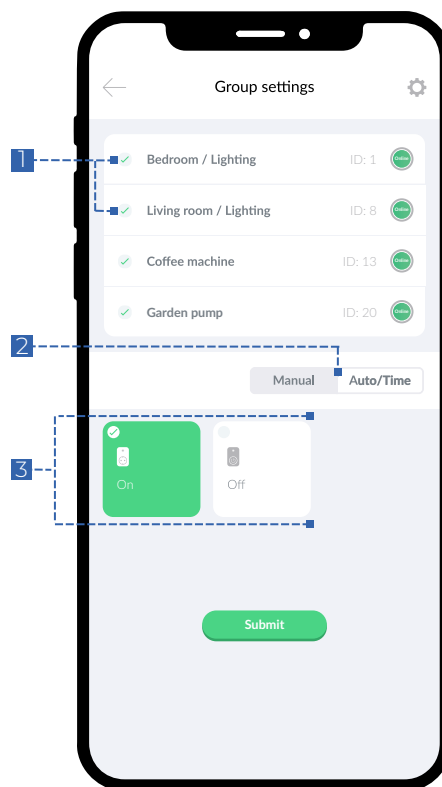
After selecting a button, the time can be set.

The button in GREEN means that the time setting is active.

4 Individual time setting

5 Save changes

All changes must always be confirmed



1 Create group

Click the checkbox to assign the same settings to several devices.

2 Mode selection

3 Setting ON/OFF

Technical data

Technical data - Magelan App Socket

• Ambient temperature	0 ~ 50°C
• Ambient humidity	90% (non-condensing)
• Mains voltage	230V AC / 50/60Hz
• Dimension	L110 x W62 x H73 (mm)
• Wireless frequency	2.4GHz, ISM Band, 16 channels
• Ampere	max. 10A
• Watt	2000W
• Protection class	IP 30
• RF-Test	RED 2014/53/EU
• CE	Available
• RoHs	Available
• Type of antenna	PCB antenna

Safety instructions

Attention! Important Note:

Installation and assembly of electrical devices may only be carried out by a qualified electrician. Failure to observe the assembly and installation instructions can result in fire or other dangers.

Declaration of conformity

Hereby blossom-ic GmbH & Co. KG hereby declares that the following product: Magelan App Socket ASD-3984 is in conformity with the essential requirements and other relevant provisions of Directive 2014/53/EU. The complete declaration of conformity can be found at the following address: www.blossomic.de/downloads Declaration of conformity.

Warning notice

The App Socket is not suitable for children and must not be used as a toy. Store and dispose of packaging materials in a child-proof manner. Do not disassemble the App Socket, as it does not contain any user-serviceable parts. If defects occur, please return the App Socket to the dealer. This appliance may be used by children over 8 years of age and by persons with reduced physical, Sensory or mental abilities or lack of experience and knowledge, provided they have been supervised or instructed in the safe use of the appliance and understand the dangers involved. Children must not play with the device. Cleaning and user maintenance must not be performed by children without supervision.

Intended Use

The Magelan App Socket is exclusively for controlling electrical devices with a power supply. Please note the maximum load of 2000 W or 10 amperes.



blossom-ic

 intelligent controls

blossom-ic GmbH & Co. KG

Oberer Buxheimer Weg 60, 87700 Memmingen, Germany

P: +49 8331-756 965 80 **E:** info@blossomic.de

W: www.blossomic.de