



AVALON⁺

Assembly instructions

Brief description:

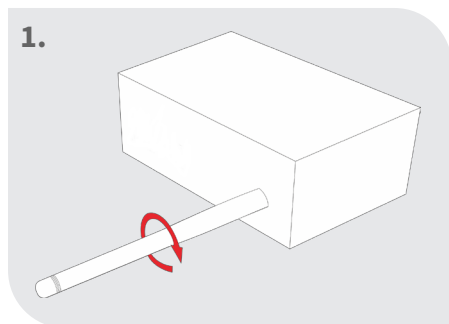
Wireless radiator thermostat for direct connection to the thermostatic valve M 30 x 1.5mm, for controlling the radiators. With patented procedure for independent and self-learning dynamic hydraulic balancing of single and two-pipe heating systems. In combination with Gateway GT-100.

Up to 20 Avalon+ thermostats can be connected to one Gateway.

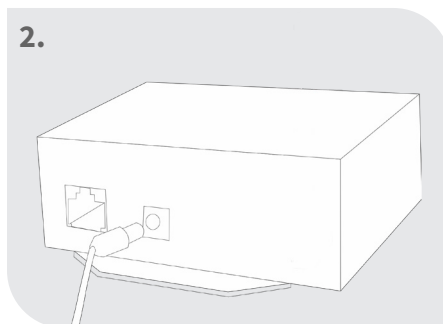
Contents...

Connection of the Gateway GT-100	3
Registration of Avalon+	3
Download the blossomic app	5
Technical data.....	6
Settings & key functions	6
• Explanation of the heating programs.....	7
• Settings via the thermostat	7
• Window opening detection.....	7
• Reset to factory settings.....	8
• Further information.....	8
Safety Instructions	8
Mounting on the valve	8
Declaration of conformity.....	8
Warning notice	9
Appropriate use	9

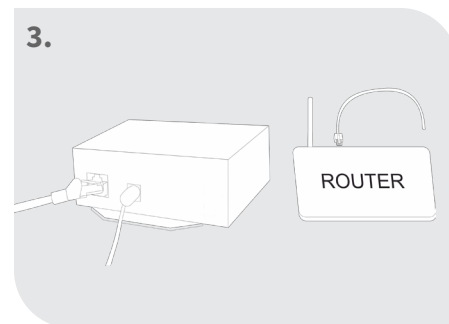
Connection of the Gateway GT-100



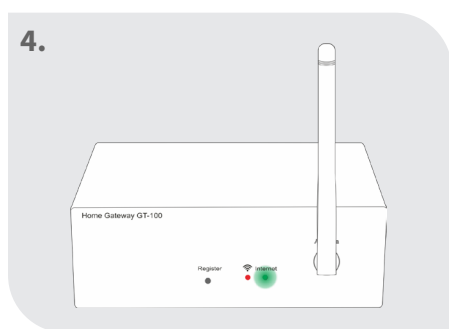
1. Screw on antenna



2. Connect power supply unit



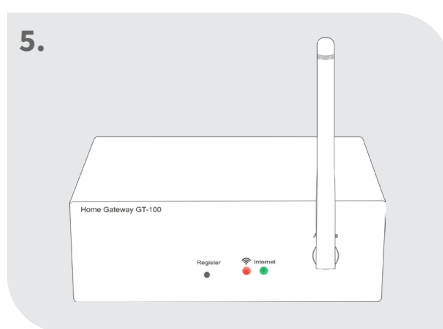
3. Connect the network cable



4. Check status

Green diode lights up constantly: Internet connection is establishing.

Green diode lights up constantly: Internet connection is successfully established



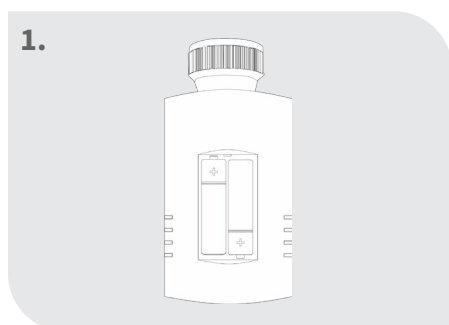
5. Both diodes are permanently lit: Gateway active

Hint:

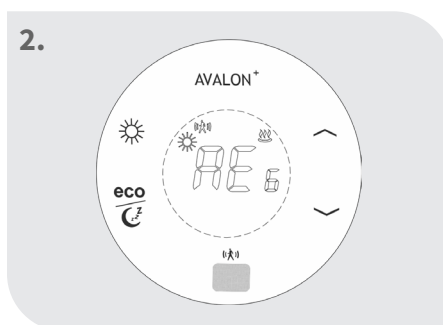
Functionality in the home safe area. Internet connection is used for convenient setting and control via smartphone.

The system functionality is guaranteed even if no Internet connection is available.

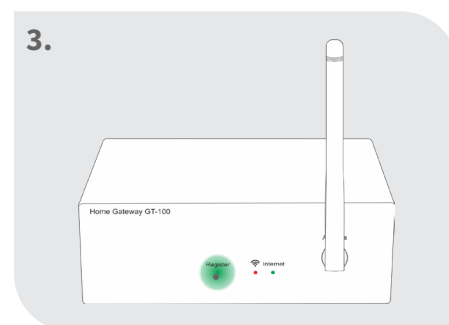
Registration of Avalon+



1. Inserting batteries



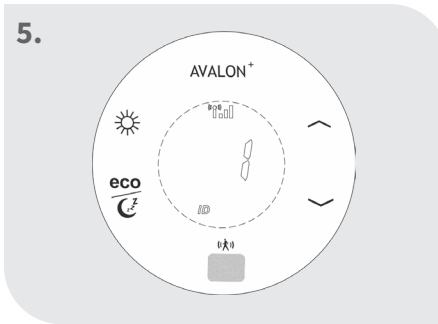
2. „REG“ appears in the display



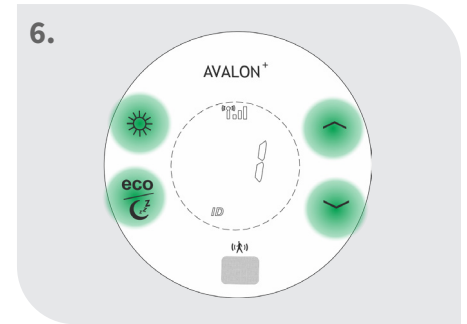
3. Press the register key on the gateway for 3 seconds.



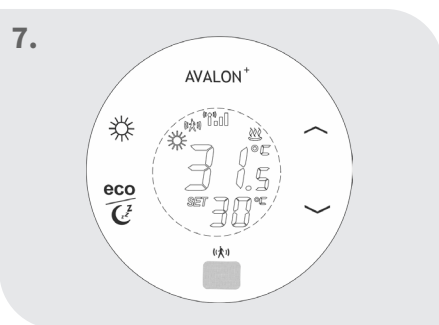
4. Press any button on the Avalon+ thermostat within 30 seconds



5. Thermostat displays the current ID



6. Press any key on the Avalon+



7. The thermostat shows the current room temperature the registration was successful

Mount Avalon+ on the valve and tighten. Please note: Sensor should not be covered.

Download the blossomic App

The blossomic app is available for both iOS and Android. You can find the app by entering „blossomic“ in the App or Google PlayStore. Alternatively, you can scan the QR code below with your smart-phone. This leads you directly to the download page of the blossomic app.

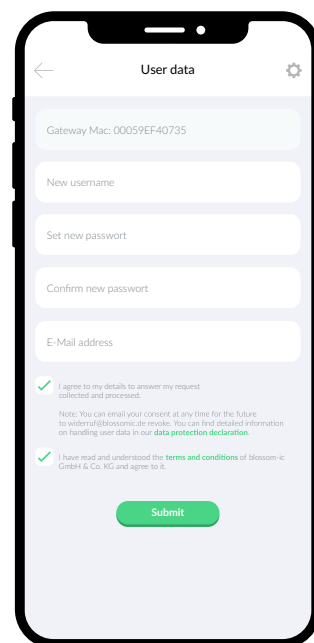
Setting up the blossomic app



For initial registration, use the MAC address of the gateway (12 digits, attached at the back). The MAC address serves as user name and password.

After successful login, you will be asked to provide individual access data.

As soon as you have assigned these data, all heating programs and other parameters can be set easily and conveniently via the app.



Automatic IP address recognition and automatic Voice recognition. There is no need to set daylight savings time, daylight savings time or date and time.



Important notice:

In order to be able to guarantee smooth functionality of all thermostats and devices as a unit, all components (including the devices that are added later) as described on page 5 below (“Registering the radiator thermostat” - steps 2 to 3), are registered via the gateway.

Technical data

Technical data - Avalon+ thermostat

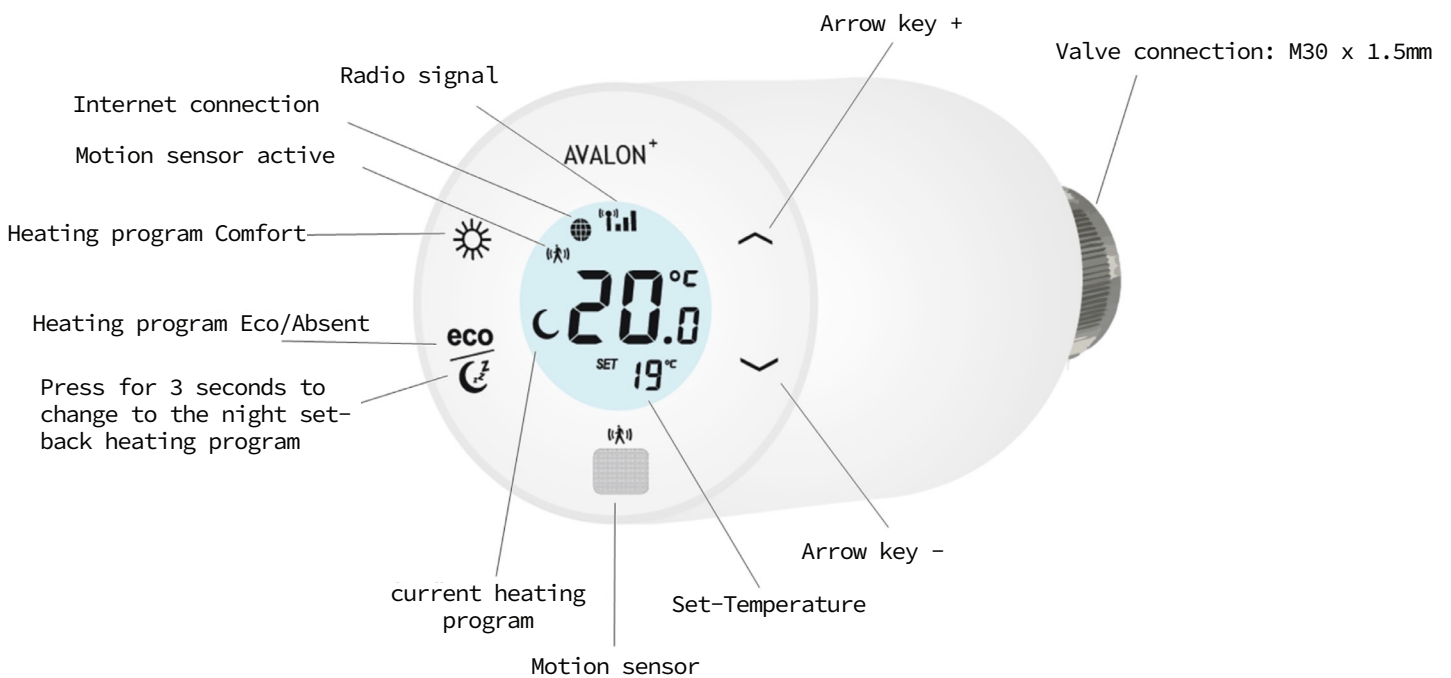
➤ Setpoint range	6 ~ 30°C
➤ Ambient temperature	0 ~ 50°C
➤ Ambient humidity	85% (non-condensing)
➤ Battery intake	2x Mignon AA 1.5V, battery
➤ Dimension	L110 x Ø 58 mm
➤ Connector	M 30 x 1,5 mm
➤ Wireless frequency	2.4GHz, ISM Band, 16 channels
➤ Protection class	IP 30
➤ RF Test	RED 2014/53/EU
➤ CE	Available
➤ RoHs	Available

Technical data - Gateway GT-100 black

➤ Ambient temperature	0 ~ 50°C
➤ Operating voltage	DC 12V 1A
➤ Mains voltage	230 V AC / 50/60Hz
➤ Dimension	L113 x W73 x H35 (mm)
➤ Wireless frequency	2.4GHz, ISM Band, 16 channels
➤ Protection class	IP 30
➤ RF Test	RED 2014/53/EU
➤ CE	Available
➤ RoHs	Available
➤ Type of antenna	Monopole 2.4 GHz

Settings & key functions

Radiator-radiator thermostat, blossomic radio and app technology.



To activate the parental lock: Press the „Comfort“ and „Up Arrow“ button for 5 seconds. (A lock appears on the screen)

To deactivate the parental lock: Press „Comfort“ and „Up arrow key“ for 5 seconds.

Declaration of heating programs



Heating program Comfort

With the Comfort programme you control your comfort temperature (set to 22° at the factory). The desired temperature and programme times can be conveniently set using the thermostat and app. If the sensor is activated and no one is present within 30 minutes, the system lowers the temperature by 2° and switches to eco mode or night-time reduction (depending on the time of day) after a further 30 minutes without anyone being present. If the sensor detects movement, the program immediately switches to Comfort mode. If the sensor is deactivated (only possible via the app), the temperature remains constant until the next switching phase (eco or night-time reduction). Detailed instructions can also be found in the app description.



Heating program Eco

With the Eco program you can set the desired temperature for longer periods of absence (set to 12° in the factory). The desired temperature and program times can be conveniently set using the thermostat and the app. By pressing the Eco button on the thermostat, you can switch directly from Comfort mode to Eco mode. To do this, the motion sensor is deactivated for 10 minutes. If the sensor detects movement after 10 minutes, the program switches back to Comfort mode. If the sensor is deactivated (only possible via the app), the temperature remains constant until the next switching phase (Comfort or night setback). Detailed instructions can also be found in the app description.



Heating program Night Setback

This program lowers the temperature at night to save energy (set to 16° at the factory). You can easily set the desired temperature and program time using the thermostat and the app. The motion sensor is deactivated during the night setback. By pressing the night setback button on the thermostat, you can switch directly from Comfort mode to night setback. When the sensor is deactivated (only possible via the app), the temperature remains constant until the next switching phase (Eco or Comfort). Detailed instructions can also be found in the app description.

Heating Time Setting

By pressing the night setback button on the thermostat twice, you can set the time at which morning comfort is to be activated. Set the desired time and confirm the setting by pressing the night setback button again. All settings of the heating programs and temperatures can be made easily and conveniently with the app. Detailed instructions can also be found in the app description.

Adjustment phase Avalon+ System

In the first heat-up phases after commissioning, the valves are automatically adjusted and set by the Avalon+ System. This process is repeated several times as required. This process allows the system to adapt to the individual conditions in the premises.

Settings via the thermostat

At wake-up time (e.g. 7:00 a.m.) the radiator starts heating from 7:00 a.m. The thermostat automatically switches to Comfort mode. (The settings on the thermostat are optional. With the app all settings of the heating programs and temperatures can be made easily and conveniently) Please note The Avalon+ thermostats only control the individual rooms (temperature and times). Please note which times the boiler is set to.

Window opening detection

The window opening detection in blossom-ic is activated by a temperature drop of 2°C in 5 minutes and puts the thermostat in frost protection mode (6°C). As soon as this function is activated, „OPEN“ appears on the display. If the window is closed within 30 minutes and the temperature in the room rises again, the thermostat automatically returns to the last activated mode.

If the window is open for more than 30 minutes or the temperature does not rise, the thermostat remains in frost protection mode and must be manually reactivated on the thermostat.

Reset thermostat to factory setting

Press comfort button until "bin" appears in the display -> press comfort button until "Set" ID appears. -> Select ID 0 and confirm with "Comfort-Key"

Further information

Hint:	What is to be done?	Valve protection function:
When the batteries are empty and the thermostat switches off, the heating in the last activated mode, to switch the Freezing of the heating and the unwanted to prevent cooling of the rooms is the Frost protection (6°C) activated.	To restore normal operation please change the batteries immediately. The system has a memory function that automatically restores the last set heating program.	The system opens and closes the valves once a week automatically, so that ensures that the valves do not/or block it.

Safety Instructions

Attention! Important note:

Installation and assembly of electrical devices may only be carried out by a qualified electrician. Non-observance of the assembly and installation instructions may result in fire or other hazards.

Mounting on the valve

The Avalon+ fits valves with an M 30 x 1.5mm connection. Suitable makes: Heimeier, Junkers, Landys & Gyr, MNG, Honeywell 30 x 1.5, Herz 30 x 1.5 and Oventrop 30 x 1.5..

Adapter:

To mount the Avalon+ on Danfoss valves you need an adapter (e.g. from Heimeier):

- Heimeier 9700-24.700 (Adapter for Danfoss RAV/L valves)
- Heimeier 9702-24.700 (Adapter for Danfoss RA valves)
- Heimeier 9800-24.700 (Adapter for Danfoss RAV valves)

For niches we recommend our product Avalon Combo+.

For all other valves, please use the different adapters of the respective manufacturers. These are available from specialist dealers on request. We recommend metal adapters for exact functionality!

Declaration of conformity

Hereby blossom-ic GmbH & Co. KG hereby declares that the following product: Avalon+ AP-3977 is in compliance with the essential requirements and other relevant provisions of Directive 2014/53/EU. The complete declaration of conformity can be found at the following address: www.blossomic.de/downloads Declaration of conformity

Warning notice

The thermostat is not suitable for children and must not be used as a toy. Store and dispose of packaging materials in a child-resistant manner. Do not disassemble the thermostat, as it does not contain any user-serviceable parts. If the error code E1, E2, etc. is shown on the display or other defects occur, please return the thermostat to the dealer.

This appliance may be used by children over 8 years of age and by persons with reduced physical, sensory or mental capabilities or lack of experience and knowledge, provided they have been supervised or instructed in the safe use of the appliance and understand the hazards involved. Children must not play with the device. Cleaning and user maintenance must not be performed by children without supervision.

Appropriate use

The Avalon+ is only suitable for controlling radiators, convectors or heating bars heated by heat transfer media. The regulation of e.g. cooling circuits, underfloor heating, etc. is not permitted and may lead to damage.



blossom-ic



intelligent controls

blossom-ic GmbH & Co. KG

Oberer Buxheimer Weg 60, 87700 Memmingen, Germany

P: +49 8331-756 965 80 **E:** info@blossomic.de

W: www.blossomic.de